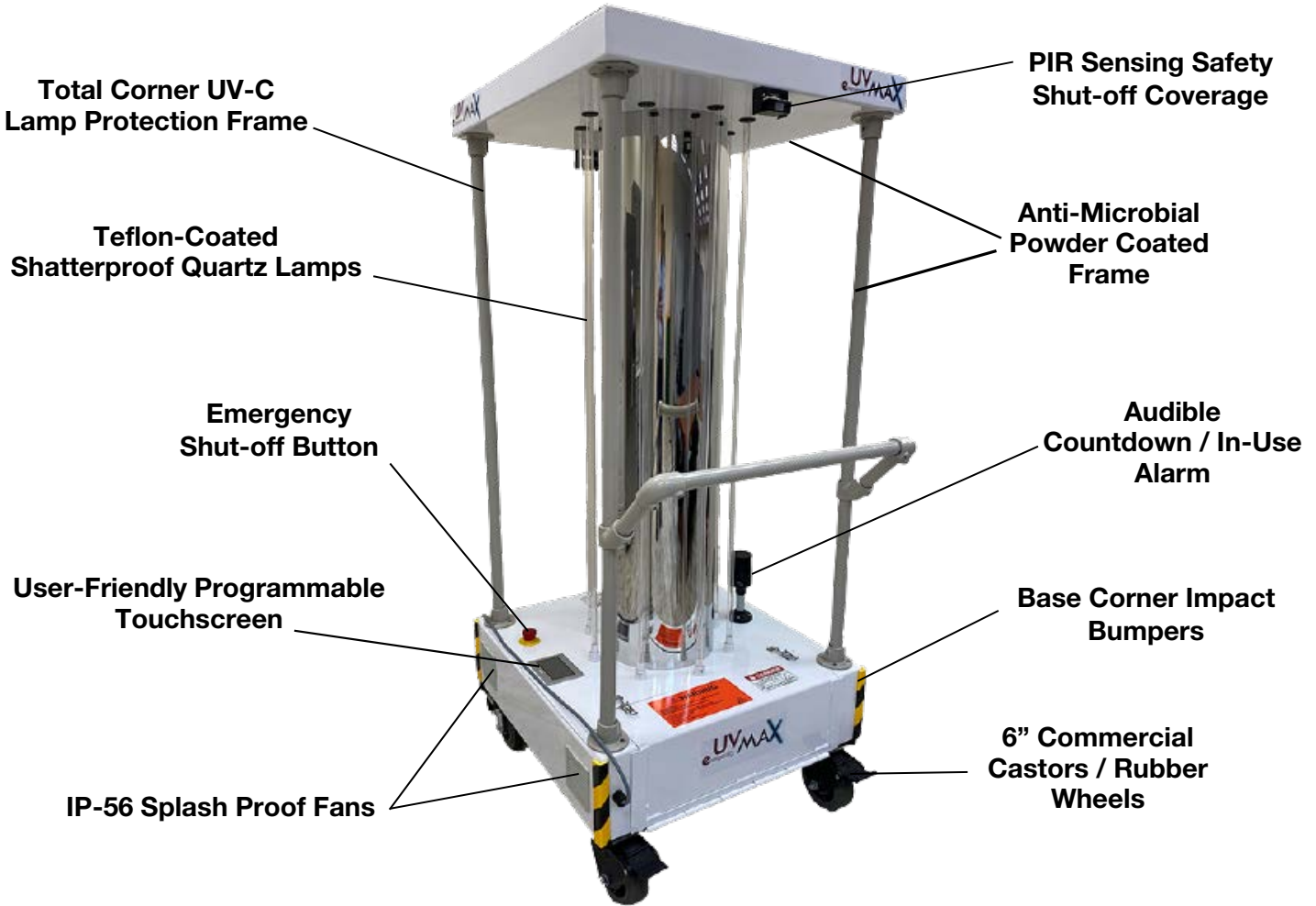




# UV-MAX

## ULTRA RUGGED UV-C SURFACE DISINFECTION UNIT

**LAB-TESTED EFFICACY DEMONSTRATING A 99.99+% ELIMINATION OF VIRUS & BACTERIA**



### INCLUDED BENEFITS

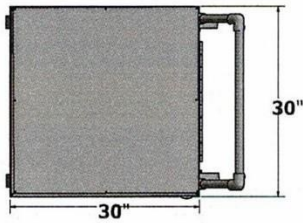
- DURABLE INDUSTRIAL GRADE BUILD
- REDUNDANT SAFETY FEATURES
- CONSISTENT RESULTS DISINFECTION
- ENVIRONMENTALLY FRIENDLY
- REDUCES HUMAN ERROR
- INDEPENDENT LAB-TESTED EFFICACY
- EASE OF USE CONTROLS
- UVC - A CDC AND EPA APPROVED DISINFECTION METHOD
- FULLY ASSEMBLED - READY TO USE

### SPECIFICATIONS

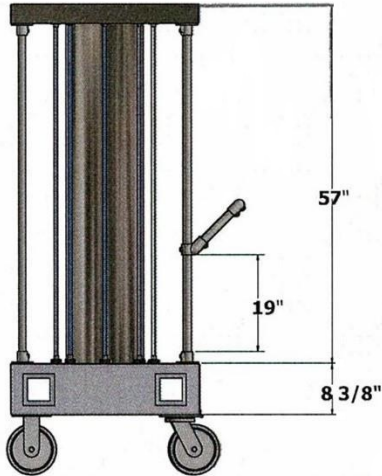
- (8) 55" LOW PRESSURE H.O. LAMPS
- 480 WATTS / 6 AMPS / 120V AC
- 4" HMI TOUCHSCREEN CONTROLS
- 6" SWIVEL CASTER RUBBER WHEELS
- 12,000+ RUN HOUR LAMP LIFE
- 360 DEG. TREATMENT DISTRIBUTION
- PASSIVE INFRARED SENSOR(S) SAFETY
- 254-nm GERMICIDAL UVC LIGHT
- UL RATED CONTROLS

## UV-MAX & UV-MAX LO-PRO PROFILE DIMENSIONS AND WEIGHTS

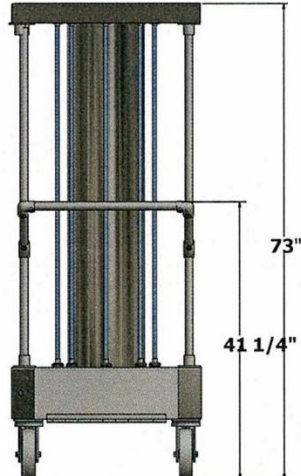
Operating Weight: UV-MAX 200 lbs UV-MAX LO-PRO 120 lbs  
Shipping Weight: UV-MAX 535 lbs UV-MAX LO-PRO 405 lbs



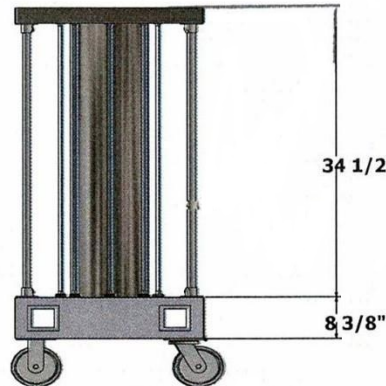
TOP VIEW UV-MAX AND  
UV-MAX LOW PROFILE



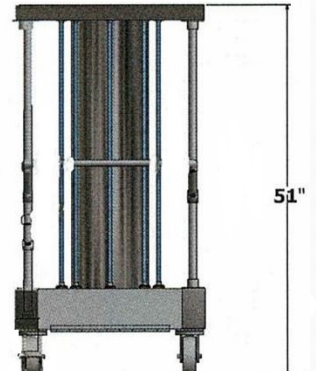
SIDE VIEW UV-MAX



REAR VIEW UV-MAX



SIDE VIEW UV-MAX  
LOW PROFILE



REAR VIEW UV-MAX  
LOW PROFILE

### APPLICATION EXAMPLES

- \*Linen Transport Vehicles
- \*Surgical Pack Rooms
- \*Nursing Homes / Senior Centers
- \*Offices & Work Stations
- \*Hospitals / Medical Facilities
- \*Restaurants / Hotels
- \*Operations Centers
- \*Locker / Break Rooms
- \*Prisons / Jails
- \*Churches / Shelters
- \*Manufacturing Facilities
- \*Gym / Fitness Centers
- \*Schools / Lecture Halls
- \*Police Dept. / Firehouses
- \*Airports / Mass Transit Hubs

**LEARN MORE ABOUT OUR "TOTAL PLANT DISINFECTION"  
PRODUCTS BY CALLING OR VISITING US ONLINE!**



1470 Don Street  
Naples, Florida  
34104  
USA

T: 239.643.2778  
E: sales@max-assure.com  
W: www.max-assure.com