



UV-MAX LO-PRO

ULTRA RUGGED UV-C MOBILE DISINFECTION UNIT

LAB-TESTED EFFICACY DEMONSTRATING A 99.99+% ELIMINATION OF VIRUS & BACTERIA

Same results as UV-MAX Industrial Unit in a shorter package

Applications:

- Offices / Work Spaces
- Jails / Prisons
- Medical Facilities
- Transport Vehicles
- Shelters
- Classrooms
- Restrooms / Locker Rooms
- Shared Spaces
- Restaurants
- Labs / Clean Rooms
- Lodging Accommodations

Dimensions

- L 30 in. x W 30 in. x H 52 in
- 120 lbs.

Standard Features:

- Rugged Industrial Mobile Disinfection Device
- High-output shatterproof quartz lamps (16)
- PIR occupancy sensor(s) w/ auto shutoff
- Emergency Stop Button
- User friendly programmable touchscreen
- Corner bumpers and complete frame lamp protection
- 6" Non-marking rubber wheels w/ locking casters

Construction:

- Lightweight aluminum frame w/ antimicrobial powder coating
- Germicidal low pressure, high output shatterproof lamps
- Swivel locking caster wheels
- Convertible top for upper room treatment

Electrical:

- 640 Watts (twelve lamps, 40W each)
- Common 120V/60Hz/1
- Other voltages available

UV-C:

- 254 nm wavelength
- 12,000 hour lamp life runtime
- Irradiance: .85 mJ/cm² @ 5 ft

Included:

- 1 UV-C Mobile Disinfection System
- 1 Pair UV-C safety glasses
- 1 Doorway warning sign
- 1 Pack (10) dosimeter cards

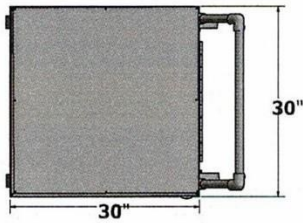
Lamp Replacement:

- Replace at 9,000 hrs for optimal results
- Contact factory for lamp replacement pricing

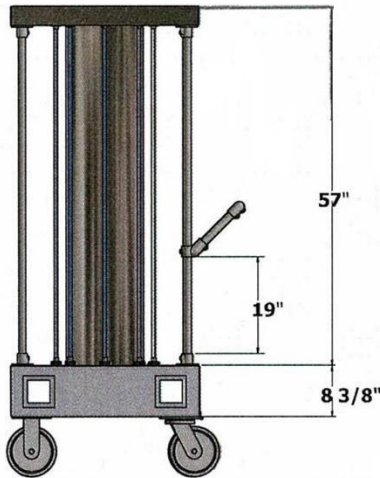
WARNING: OBSERVE BASIC SAFETY PRECAUTIONS.
Read and follow all instructions, warnings, and safety notices.
Do not expose eyes or skin to direct or reflected UV-C rays as they are harmful. Wear appropriate PPE when operating the unit.

UV-MAX & UV-MAX LO-PRO PROFILE DIMENSIONS AND WEIGHTS

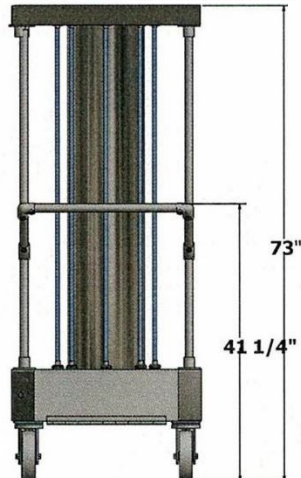
Operating Weight: UV-MAX 200 lbs UV-MAX LO-PRO 120 lbs
Shipping Weight: UV-MAX 535 lbs UV-MAX LO-PRO 405 lbs



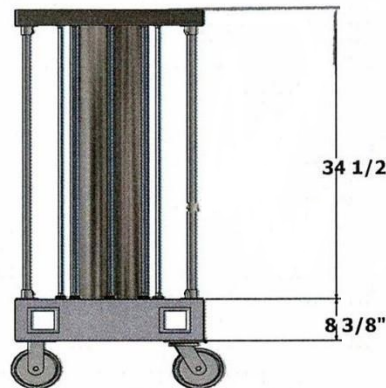
TOP VIEW UV-MAX AND
UV-MAX LOW PROFILE



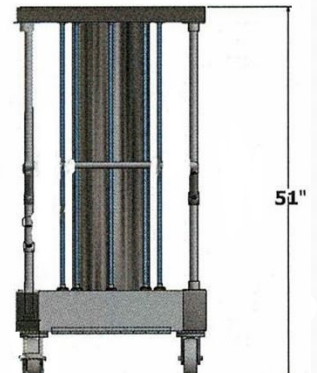
SIDE VIEW UV-MAX



REAR VIEW UV-MAX



SIDE VIEW UV-MAX
LOW PROFILE



REAR VIEW UV-MAX
LOW PROFILE

APPLICATION EXAMPLES

- *Linen Transport Vehicles
- *Surgical Pack Rooms
- *Nursing Homes / Senior Centers
- *Offices & Work Stations
- *Hospitals / Medical Facilities
- *Restaurants / Hotels
- *Operations Centers
- *Locker / Break Rooms
- *Prisons / Jails
- *Churches / Shelters
- *Manufacturing Facilities
- *Gym / Fitness Centers
- *Schools / Lecture Halls
- *Police Dept. / Firehouses
- *Airports / Mass Transit Hubs

**LEARN MORE ABOUT OUR "TOTAL PLANT DISINFECTION"
PRODUCTS BY CALLING OR VISITING US ONLINE!**



1470 Don Street
Naples, Florida
34104
USA

T: 239.643.2778
E: sales@max-assure.com
W: www.max-assure.com